



# YTCT

## QUALITY IS OUR CULTURE

# YTCT

COMPANY NAME :YANTAI CHENGTAI CONSTRUCTION MACHINERY CO.,LTD  
ADD:NO.112 LIANFU STREET ,FUSHAN AREA,YANTAI CITY ,SHANDONG PROVINCE,CHINA ,265500  
EMAIL:ASHLEY@CTBREAKER.COM  
MOBILE / WHATSAPP /WECHAT :+86 15553591276  
CONTACT:ASHLEY TANG

烟臺成泰建築機械有限公司  
地址：山東省煙臺市福山區連福街112號  
微信/電話：15553591276  
郵箱：ASHLEY@CTBREAKER.COM



YANTAI CHENGTAI CONSTRUCTION MACHINERY CO.,LTD

烟臺成泰建築機械有限公司



**YTCT** 公司簡介  
Company profile

**OUR BRAND**

LOCAL BRAND YTCT .

YTCT (YanTai ChengTai hydraulic breaker)

**OUR FACTORY**

烟臺成泰建築機械有限公司是一家生產工廠，位於山東省烟臺市，我司破碎破碎錘適合0.5噸到70噸任何型號任何品牌的挖掘機，同時也生產挖掘機前端屬具，鬆土器，振動夯，快速連接器，抓木器等，歡迎洽談生意，成爲我們的代理和合作夥伴。

Yantai Chengtai Construction Machinery Co.,Ltd is located in yantai city, shandong province, China, where the most innovative and advanced world class machinery is manufactured. We Specialized in manufacturing and selling hydraulic breakers (Soosan SB series hydraulic breakers , Furukawa HB sereies hydraulic breakers and its spare parts). product and supply the quick coupler, hydraulic compactor, ripper, bucket and other excavator front attachment, too.

**OUR PRODUCT**

Our breaker could fit to any brand of excavator, backhoe loader, skid steer from weight 0.5 to 70tons .also do OEM for famous brand for USA, GERMANY, ITALY, KOREA etc. Quality is our culture. we are focus on quality and after-sale service. choose best material, test every hydraulic breaker before loading. Customer's satisfaction is always our first priority. Our success is measured by our customer's success, that's why YTCT we always bring you the best quality and best service to achieve win-win situation.







### 三角式破碎錘

#### Side Type Breakers

- 整體長度降低
- 方便往回勾取物件
- 維修方便
- Breaker's overall length reduced.
- Allows chisel to conveniently move backwards.
- Easy maintenance



### 直角式破碎錘

#### Top Type Breakers

- 易于控制，容易定位，更利于挖掘開鑿
- 没有側面的重量，斷釘杆的幾率減低
- 整體長度稍長，重量較重
- Breaker's length is longer and weight is heavier.
- Easy control and position, more ideal for breaking jobs.
- Vertical open-bracket design reduces the malfunction rate of chisel.



### 静音式破碎錘

#### Box Silenced Type Breakers

- 噪音比較小
- 封閉式結構看不到內部機芯，機芯不容易受損
- Low noise level
- Full-closed box design protects the main body from damage

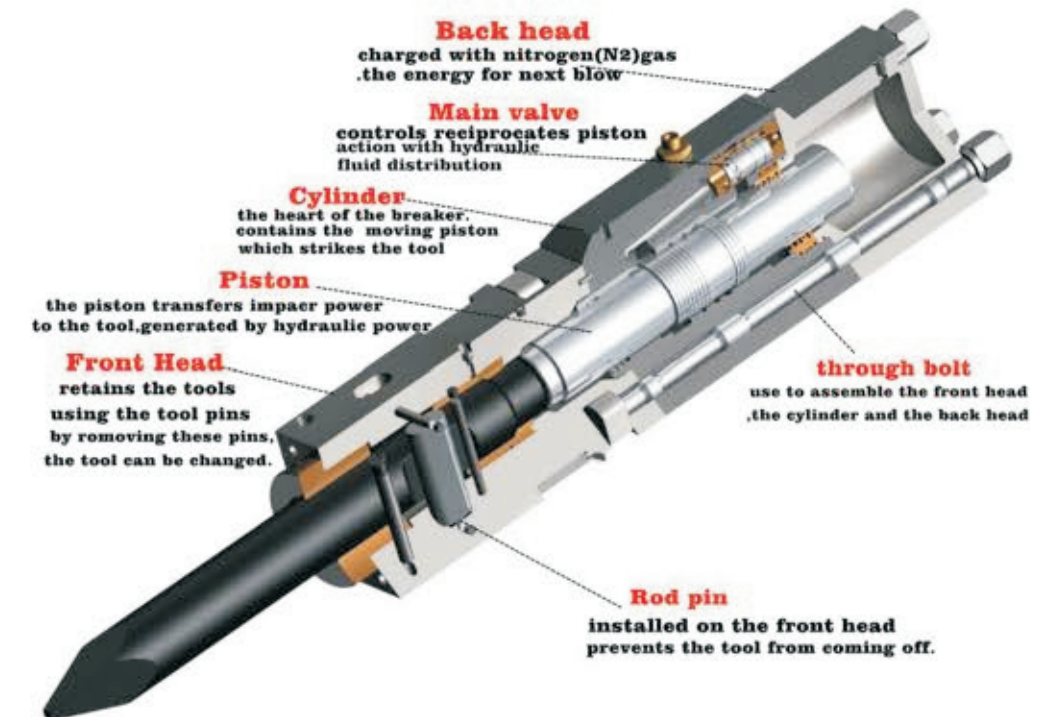


SKID STEER BREAKER



BACKHOE LOADER BREAKER

## INTERNAL VALVE TYPE ( Soosan series)



Applicable field :

1. Mining---Mining ,secondary breaking
2. Metallurgy---Clearing slag, demolition of furnace and foundation .
3. Road---Repairing ,breaking ,foundation work.
4. Railway---Tunneling demolition of bridge.
5. Construction---Demolition of building and reinforced concrete.
6. Ship repairing -----Clearing alum and rust from the hull
7. Others---Breaking frozen mud.





MODEL NUMBER	CHISEL DIAMETER	CARRIER WEIGHT	BODY WEIGHT	TOTAL WEIGHT	OPERATING PRESSURE	HYDRAULIC OIL FLOW	BLOW FREQUENCY	DIAMETER OF HOSE	BREAKING POWER	SIZE(L*W*H)
型號	鉗杆直徑	適合挖掘機重量	機芯重量	破碎錘總重量	油 壓	液壓油流量	打擊頻率	油管直徑	打擊力	尺寸 (長寬高)
	MM/INCH	TON / LB	KG / LB	KG / LB	KG/CM <sup>2</sup> / PSI / BAR	L/MIN / GAL/MIN	BPM	MM / INCH	J/KG.M	MM
YTCT05S	35 / 1.38	0.5-1 / 1102-2205	40 / 88	65 / 143	90-120 / 1280-1706 / 88-117	15-25 / 4-7	800-1300	12.7 / 1/2	720 / 74	918*176*360
YTCT10S	40 / 1.57	1-3 / 2205-6614	53 / 117	70 / 154	90-120 / 1280-1706 / 88-117	15-25 / 4-7	800-1300	12.7 / 1/2	720 / 74	918*176*360
YTCT20S	45 / 1.77	1.2-3.0 / 2646-6614	67 / 148	91 / 200	90-120 / 1280-1706 / 88-117	20-30 / 5-8	700-1200	12.7 / 1/2	720 / 74	1090*215*435
YTCT30S	53 / 2.08	2.5-4.5 / 5512-9921	85 / 187	154 / 334	90-120 / 1280-1706 / 88-117	25-50 / 6.6-13.2	600-1100	12.7 / 1/2	720 / 74	1178*230*500
YTCT40S	68 / 2.68	4-7 / 8819-15432	152 / 335	259 / 571	110-140 / 1564-1990 / 108-137	40-70 / 10.5-18.5	500-900	12.7 / 1/2	720 / 74	1373*295*772
YTCT43S	75 / 2.95	6-9 / 13228-19842	210 / 463	331 / 730	120-150 / 1706-2133 / 118-147	50-90 / 13.1-23.6	400-800	12.7 / 1/2	720 / 74	1515*295*735
YTCT45S	85 / 3.35	7-14 / 15432-30864	278 / 613	554 / 1221	130-160 / 1848-2275 / 127-157	60-100 / 15.8-26.3	400-800	19.05 / 3/4	980 / 100	1735*390*910
YTCT50S	100 / 3.94	10-15 / 22046-33069	475 / 1047	757 / 1669	150-170 / 2133-2417 / 147-167	80-110 / 21.1-29.1	350-700	19.05 / 3/4	1460 / 149	1900*390*910
YTCT60S	125 / 4.92	15-18 / 33069-39683	616 / 1358	1273 / 2806	150-170 / 2133-2417 / 147-167	90-120 / 23.7-31.7	350-650	25.4 / 1	1500 / 150	2000*390*1010
YTCT70S	135 / 5.31	18-26 / 39683-57320	846 / 1865	1649 / 3635	160-180 / 2275-2559 / 157-176	130-150 / 34.3-39.6	400-800	25.4 / 1	2335 / 238	2423*500*1202
YTCT81S	140 / 5.51	18-26 / 39683-57320	916 / 2019	1763 / 3887	160-180 / 2275-2559 / 157-176	120-180 / 31.7-47.6	350-500	25.4 / 1	4500 / 459	2480*590*1335
YTCT81AS	140 / 5.51	18-26 / 39683-57320	952 / 2099	1805 / 3979	160-180 / 2275-2559 / 157-176	120-180 / 31.7-47.6	350-500	25.4 / 1	4500 / 459	2480*590*1335
YTCT100S	150 / 5.91	27-35 / 59525-77162	1088 / 2399	2214 / 4666	160-180 / 2275-2559 / 157-176	150-190 / 39.6-50.2	350-700	25.4 / 1	4961 / 506	2640*590*1343
YTCT121S	155 / 6.1	28-36 / 61729-79366	1309 / 2886	2573 / 5672	180-200 / 2559-2844 / 176-196	200-260 / 52.8-68.6	250-400	31.75 / 1-1/4	6800 / 704	2776*590*1382
YTCT131S	165 / 6.5	30-40 / 66139-88185	1438 / 3170	2747 / 6056	180-200 / 2559-2844 / 176-196	200-260 / 52.8-68.6	250-400	31.75 / 1-1/4	7308 / 746	2820*590*1378
YTCT140S	165 / 6.5	30-40 / 66139-88185	1586 / 3496	3273 / 7216	180-200 / 2559-2844 / 176-196	200-260 / 52.8-68.6	250-380	31.75 / 1-1/4	7308 / 746	2820*665*1445
YTCT151S	175 / 6.89	35-40 / 77162-88185	1929 / 4253	3901 / 8600	180-200 / 2559-2844 / 176-196	210-290 / 55.44-76.56	200-350	31.75 / 1-1/4	8300 / 846	3184*670*1670
YTCT135S	185 / 7.28	35-45 / 77162-99208	2411 / 5315	4376 / 9647	190-220 / 2702-3128 / 186-216	220-270 / 58.08-71.28	200-250	31.75 / 1-1/4	8300 / 846	3225*764*1576
YTCT195S	190 / 7.68	40-55 / 88185-121254	2626 / 5789	5039 / 11109	190-220 / 2702-3128 / 186-216	220-290 / 58.08-76.56	180-200	31.75 / 1-1/4	9000 / 860	3325*800*1600
YTCT210S	210 / 8.27	60-80 / 132278-176370	3396 / 7487	6683 / 14734	200-240 / 2844-3413 / 196-235	290-350 / 76.56-92.4	150-200	31.75 / 1-1/4	9000 / 860	3325*800*1600





MODEL NUMBER	CHISEL DIAMETER	CARRIER WEIGHT	BODY WEIGHT	TOTAL WEIGHT	OPERATING PRESSURE	HYDRAULIC OIL FLOW	BLOW FREQUENCY	DIAMETER OF HOSE	BREAKING POWER	SIZE(L*W*H)
型號	釐杆直徑	適合挖掘機重量	機芯重量	破碎錘總重量	油 壓	液壓油流量	打擊頻率	油管直徑	打擊力	尺寸 (長寬高)
	MM/INCH	TON / LB	KG / LB	KG / LB	KG/CM <sup>2</sup> / PSI / BAR	L/MIN / GAL/MIN	BPM	MM / INCH	J/KG.M	MM
YTCT05T	35 / 1.38	0.5-1/1102-2205	40 / 88	65 / 143	90-120 /1280-1706 /88-117	15-25 /4-7	800-1300	12.7 / 1/2	720 / 74	1235*176*200
YTCT10T	40 / 1.57	1-3/2205-6614	53 / 117	70 / 154	90-120 /1280-1706 /88-117	15-25 /4-7	800-1300	12.7 / 1/2	720 / 74	1344*235*370
YTCT20T	45 / 1.77	1.2-3.0/2646-6614	67 / 148	91 / 200	90-120 /1280-1706 /88-117	20-30 / 5-8	700-1200	12.7 / 1/2	720 / 74	1235*176*200
YTCT30T	53 / 2.08	2.5-4.5/5512-9921	85 / 187	154 / 340	90-120 /1280-1706 /88-117	25-50 / 6.6-13.2	600-1100	12.7 / 1/2	720 / 74	1344*235*370
YTCT40T	68 / 2.68	4-7/8819-15432	152 / 335	339 / 747	110-140 /1564-1990 /108-137	40-70 / 10.5-18.5	500-900	12.7 / 1/2	720 / 74	1684*350*486
YTCT48T	75 / 2.95	6-9/13228-19842	210 / 463	405 / 893	120-150 /1706-2133 /118-147	50-90 / 13.1-23.6	400-800	12.7 / 1/2	720 / 74	1706*390*486
YTCT45T	85 / 3.35	7-14 /15432-30864	278 / 613	633 / 1400	130-160 /1848-2275 /127-157	60-100 / 15.8-26.3	400-800	19.05 / 3/4	980 / 100	2120*438*570
YTCT50T	100 / 3.94	10-15 /22046-33069	475 / 1047	862 / 1900	150-170 /2133-2417 /147-167	80-110 / 21.1-29.1	350-700	19.05 / 3/4	1460 / 149	2387*450*570
YTCT60T	125 / 4.92	15-18 /33069-39683	616 / 1358	1304 / 2875	150-170 /2133-2417 /147-167	90-120 / 23.7-31.7	350-650	25.4 / 1	1500 / 150	2500*500*620
YTCT70T	135 / 5.31	18-26 /39683-57320	846 / 1865	1843 / 4063	160-180 /2275-2559 /157-176	130-150 / 34.3-39.6	400-800	25.4 / 1	2335 / 238	2900*560*710
YTCT81T	140 / 5.51	18-26 /39683-57320	916 / 2019	2055 / 4531	160-180 /2275-2559 /157-176	120-180 / 31.7-47.6	350-500	25.4 / 1	4500 / 459	2866*560*710
YTCT81AT	140 / 5.51	18-26 /39683-57320	952 / 2099	2090 / 4608	160-180 /2275-2559 /157-176	120-180 / 31.7-47.6	350-500	25.4 / 1	4500 / 459	2866*560*710
YTCT100T	150 / 5.91	27-35 /59525-77162	1088 / 2399	2376 / 5238	160-180 /2275-2559 /157-176	150-190 / 39.6-50.2	350-700	25.4 / 1	4961 / 506	2897*600*760
YTCT121T	155 / 6.1	28-36 /61729-79366	1309 / 2886	2750 / 6063	180-200 /2559-2844 /176-196	200-260 / 52.8-68.6	250-400	31.75 / 1-1/4	6800 / 704	3102*600*760
YTCT131T	165 / 6.5	30-40 /66139-88185	1438 / 3170	3152 / 6950	180-200 /2559-2844 /176-196	200-260 / 52.8-68.6	250-400	31.75 / 1-1/4	7308 / 746	3286*760*840
YTCT140T	165 / 6.5	30-40 /66139-88185	1586 / 3496	3443 / 7599	180-200 /2559-2844 /176-196	200-260 / 52.8-68.6	250-380	31.75 / 1-1/4	7308 / 746	3446*665*840
YTCT151T	175 / 6.89	35-40 /77162-88185	1929 / 4253	4053 / 8935	180-200 /2559-2844 /176-196	210-290 / 55.44-76.56	200-350	31.75 / 1-1/4	8300 / 846	3812*760*920
YTCT135T	185 / 7.28	35-45 /77162-99208	2411 / 5315	4809 / 10602	190-220 /2702-3128 /186-216	220-270 / 58.08-71.28	200-250	31.75 / 1-1/4	8300 / 846	3645*790*930
YTCT195T	190 / 7.68	40-55 /88185-121254	2626 / 5789	5164 / 11382	190-220 /2702-3128 /186-216	220-290 / 58.08-76.56	180-200	31.75 / 1-1/4	9000 / 860	3845*820*950
YTCT210T	210 / 8.27	60-80 /132278-176370	3396 / 7487	6993 / 15417	200-240 /2844-3413 /196-235	290-350 / 76.56-92.4	150-200	31.75 / 1-1/4	9000 / 860	3960*850*960





MODEL NUMBER	CHISEL DIAMETER	CARRIER WEIGHT	BODY WEIGHT	TOTAL WEIGHT	OPERATING PRESSURE	HYDRAULIC OIL FLOW	BLOW FREQUENCY	DIAMETER OF HOSE	BREAKING POWER	SIZE(L*W*H)
型號	釐杆直徑	適合挖掘機重量	機芯重量	破碎錘總重量	油 壓	液壓油流量	打擊頻率	油管直徑	打擊力	尺寸 (長寬高)
	MM/INCH	TON / LB	KG / LB	KG / LB	KG/CM <sup>2</sup> / PSI / BAR	L/MIN / GAL/MIN	BPM	MM / INCH	J/KG.M	MM
YTCT05B	35 / 1.38	0.5-1 / 1102-2205	40 / 88	65 / 143	90-120 / 1280-1706 / 88-117	15-25 / 4-7	800-1300	12.7 / 1/2	720 / 74	1200*260*295
YTCT10B	40 / 1.57	1-3 / 2205-6614	53 / 117	70 / 154	90-120 / 1280-1706 / 88-117	15-25 / 4-7	800-1300	12.7 / 1/2	720 / 74	1250*260*295
YTCT20B	45 / 1.77	1.2-3.0 / 2646-6614	67 / 148	125 / 276	90-120 / 1280-1706 / 88-117	20-30 / 5-8	700-1200	12.7 / 1/2	720 / 74	1331*260*295
YTCT30B	53 / 2.08	2.5-4.5 / 5512-9921	85 / 187	151 / 333	90-120 / 1280-1706 / 88-117	25-50 / 6.6-13.2	600-1100	12.7 / 1/2	720 / 74	1417*350*305
YTCT40B	68 / 2.68	4-7 / 8819-15432	152 / 335	357 / 787	110-140 / 1564-1990 / 108-137	40-70 / 10.5-18.5	500-900	12.7 / 1/2	720 / 74	1660*328*486
YTCT43B	75 / 2.95	6-9 / 13228-19842	210 / 463	446 / 983	120-150 / 1706-2133 / 118-147	50-90 / 13.1-23.6	400-800	12.7 / 1/2	720 / 74	1712*328*486
YTCT45B	85 / 3.35	7-14 / 15432-30864	278 / 613	729 / 1607	130-160 / 1848-2275 / 127-157	60-100 / 15.8-26.3	400-800	19.05 / 3/4	980 / 100	2074*438*570
YTCT50B	100 / 3.94	10-15 / 22046-33069	475 / 1047	1003 / 2211	150-170 / 2133-2417 / 147-167	80-110 / 21.1-29.1	350-700	19.05 / 3/4	1460 / 149	2345*440*570
YTCT60B	125 / 4.92	15-18 / 33069-39683	616 / 1358	1367 / 3014	150-170 / 2133-2417 / 147-167	90-120 / 23.7-31.7	350-650	25.4 / 1	1500 / 150	2500*500*620
YTCT70B	135 / 5.31	18-26 / 39683-57320	846 / 1865	1889 / 4165	160-180 / 2275-2559 / 157-176	130-150 / 34.3-39.6	400-800	25.4 / 1	2335 / 238	2847*560*710
YTCT81B	140 / 5.51	18-26 / 39683-57320	916 / 2019	2007 / 4425	160-180 / 2275-2559 / 157-176	120-180 / 31.7-47.6	350-500	25.4 / 1	4500 / 459	2793*560*710
YTCT81AB	140 / 5.51	18-26 / 39683-57320	952 / 2099	2007 / 4425	160-180 / 2275-2559 / 157-176	120-180 / 31.7-47.6	350-500	25.4 / 1	4500 / 459	2793*560*710
YTCT100B	150 / 5.91	27-35 / 59525-77162	1088 / 2399	2453 / 5417	160-180 / 2275-2559 / 157-176	150-190 / 39.6-50.2	350-700	25.4 / 1	4961 / 506	3002*640*760
YTCT121B	155 / 6.1	28-36 / 61729-79366	1309 / 2886	2964 / 6535	180-200 / 2559-2844 / 176-196	200-260 / 52.8-68.6	250-400	31.75 / 1-1/4	6800 / 704	3075*640*760
YTCT131B	165 / 6.5	30-40 / 66139-88185	1438 / 3170	2912 / 6420	180-200 / 2559-2844 / 176-196	200-260 / 52.8-68.6	250-400	31.75 / 1-1/4	7308 / 746	3337*654*840
YTCT140B	165 / 6.5	30-40 / 66139-88185	1586 / 3496	2917 / 6431	180-200 / 2559-2844 / 176-196	200-260 / 52.8-68.6	250-380	31.75 / 1-1/4	7308 / 746	3337*654*840
YTCT151B	175 / 6.89	35-40 / 77162-88185	1929 / 4253	3898 / 8594	180-200 / 2559-2844 / 176-196	210-290 / 55.44-76.56	200-350	31.75 / 1-1/4	8300 / 846	3723*670*920
YTCT185B	185 / 7.28	35-45 / 77162-99208	2411 / 5315	4809 / 10602	190-220 / 2702-3128 / 186-216	220-270 / 58.08-71.28	200-250	31.75 / 1-1/4	8300 / 846	3645*790*930
YTCT195B	190 / 7.68	40-55 / 88185-121254	2626 / 5789	5164 / 11383	190-220 / 2702-3128 / 186-216	220-290 / 58.08-76.56	180-200	31.75 / 1-1/4	9000 / 860	3845*820*950
YTCT210B	210 / 8.27	60-80 / 132278-176370	3396 / 7487	6993 / 15417	200-240 / 2844-3413 / 196-235	290-350 / 76.56-92.4	150-200	31.75 / 1-1/4	9000 / 860	3960*850*960





### 三角式破碎錘

#### Side Type Breakers

- 整體長度降低
- 方便往回勾取物件
- 維修方便
- Breaker's overall length reduced.
- Allows chisel to conveniently move backwards.
- Easy maintenance

### 直角式破碎錘

#### Top Type Breakers

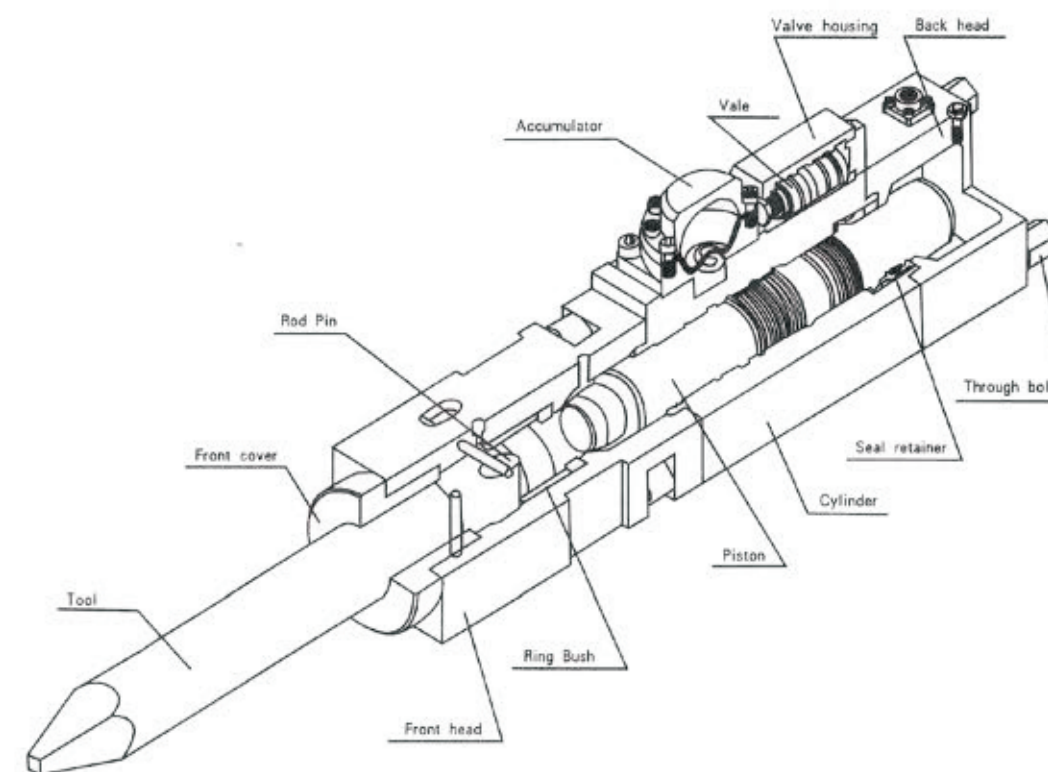
- 易于控制，容易定位，更利于挖掘開鑿
- 沒有側面的重量，斷釘杆的幾率減低
- 整體長度稍長，重量較重
- Breaker's length is longer and weight is heavier.
- Easy control and position, more ideal for breaking jobs.
- Vertical open-bracket design reduces the malfunction rate of chisel.

### 靜音式破碎錘

#### Box Silenced Type Breakers

- 噪音比較小
- 封閉式結構看不到內部機芯，機芯不容易受損
- Low noise level
- Full-closed box design protects the main body from damage.

## EXTERNAL VALVE TYPE (FURUKAWA SERIES)



Model	Working Flow Rate	Working Pressure	Impact rate	Chisel Diameter	Hose Diamete	Suitable carrier
Unit	liter /min	kg/cm <sup>2</sup>	bmp	mm	inch	Ton
YTCT5G	50-90	100-140	500-900	φ75	1/2	6-9
YTCT15G	90-120	160-180	350-650	φ120	1	13-18
YTCT20G	125-150	160-180	400-800	φ135	1	18-25
YTCT30G	150-190	160-180	300-750	φ150	1	25-30
YTCT40G	190-250	160-180	250-500	φ160	5/4	35-45





**AUTO GREASING**  
自动打黄油装置

如果不需要錘上的轉換頭或者需要添加自動打黄油裝置，請告知工廠，另外加錢生產。  
If need without top pin system or need add auto greasing system, please let us know, thanks.

零部件對照

Spare parts

<p>扁銷 Chisel pin</p>	<p>中罐體總成 Cylinder</p>	<p>換向閥 Control valve</p>
<p>活 塞 Piston</p>	<p>活 塞 環 Piston ring</p>	<p>內外導向套 Chisel bush</p>
<p>前缸體總成 Front head and back head</p>	<p>通體螺栓 Through and side bolt</p>	<p>工具箱 Tool box</p>
<p>油 封 Seal kit</p>	<p>軟 管 Oil piping</p>	<p>釵 杆 Chisel</p>
<p>皮 碗 Rubber bowl</p>	<p>外 殼 Outside bracket</p>	<p>減震膠塊 Damping block</p>





## 液壓夯 HYDRAULIC PLATE COMPACTOR

### 適用對象

高速公路鐵路護坡及路面的平整，工地及廠房地面平整。

### 特點

進口軸承，意大利節流閥，單向閥，美國的安全閥，操作穩定

### Application

Labeling of high speed way and railway slopes, roads, construction sites and buliding floors.

### Main future

Imported bearing (Japan) throttle (Italy) and safe valve (USA), Stable and high efficient performance.



類別	單位	YTCT04	YTCT06	YTCT08	YTCT10
Category	UNIT				
總高height	mm	750	930	1000	1100
總寬width	mm	550	700	900	900
打擊力 impulse force	ton	4	6.5	11	15
振動頻率 Vibration frequency	rpm	2000	2000	2200	2200
油流量 oil flow	l/min	45-85	85-105	120-170	120-170
壓力 Operating pressure	kg/cm <sup>2</sup>	100-130	100-150	150-200	150-200
打擊面積Bottom measurement	mm	900*550	1160*700	1350*900	1500*1000
重量 weight	kg	550-600	750-850	900-1000	1100-1300
適用挖掘機噸位 carrier	ton	4-10	12-16	18-24	30-40

## 液壓快速連接器 QUICK HITCH COUPLER

### 安全銷更加精準、牢固、安全

Strong safety pin at accurate position

### 進口油缸使用更持久，更耐用

Peinforced cylinder with imported oil seals (Simrit Germany brand)

### 伸縮虎口更加耐磨，更加堅固，防止斷裂

High-abrasive front tiger mouth design



類別 Category	Unit	YTCT-mini	YTCT-02	YTCT-04	YTCT-06	YTCT-08	YTCT-08S	YTCT-10	YTCT-17
總長度C Length C	mm	300-450	520-542	581-610	760	920-955	950-1000	965-1100	1005-1150
總寬度B Width B	mm	150-250	260-266	265-283	351-454	450-483	445-493	543-572	602-666
總高度G Height G	mm	225-270	312	318	400	512	512-540	585	560-615
小臂開檔A Arm width A	mm	82-180	155-172	181-205	230-317	290-345	300-350	345-425	380-480
軸中心距D Pins center distance	mm	95-220	220-275	290-350	350-400	430-480	450-505	485-530	520-630
軸直徑Pin diameter	mm	20-45	40-45	45-55	50-70	70-90	90	90-100	100-110
油缸伸縮距離伸E Cylinder stroke E	mm	95-200	200-300	300-350	340-440	420-510	450-530	460-560	500-650
上下軸間距F Vertical pins center distance	mm	170-190	200-210	205-220	240-255	300	320	350-370	370-380
重量 Weight	kg	30-40	50-75	80-110	170-210	350-390	370-410	410-520	550-750
工作壓力 Working pressure	kgf/cm <sup>2</sup>	30-400	30-400	30-400	30-400	30-400	30-400	30-400	30-400
必要流量 Necessary flow	l	10-20	10-20	10-20	10-20	10-20	10-20	10-20	10-20
使用于挖掘機噸位 Excavator	ton	1-4	4-6	6-8	12-16	18-25	25-26	26-30	30-40



## 雙保險連接器 DOUBLE-LOCKING QUICK HITCH COUPLER

**適用對象**  
所有型號挖掘機  
**產品特變**  
雙保險安全鎖手自一體，安全係數增加百分之百，使用壽命更持久。

**Applications**  
All models of excavators

**Main features**  
One manual and one auto-locking safety, doubled safety and longer operation life.



類別 Category	Unit	Mini	YTCT-02	YTCT-04	YTCT-06	YTCT-08	YTCT-10	YTCT-14
工作壓力 Oil pressure	bar	25-300	25-300	25-300	25-300	25-300	25-300	25-300
必要流量 Operating flow	lpm	15-25	15-25	15-25	15-25	15-25	15-25	15-25
適用挖機 Carrier	ton	1.5-3	4-6	6-9	12-16	17-23	29-36	30-40
門軸直徑 Pin diameter	mm	20-40	40-45	45-60	60-70	70-80	90-100	100-110
重量 Weight	kg	25-40	50-75	70-110	180-250	300-400	550-650	650-800

## 雙保險機械式連接器 DOUBLE-LOCKING MECHANICAL QUICK HITCH COUPLER

**適用對象**  
1.5-25噸挖掘機  
**產品特變**  
●解決軸距差距大，採購成本低；  
●雙保險更安全

**Applications**  
Fit 1.5 ton to 25 ton excavators

**Main features**  
● Long stroke for different pin center distances, lower procurement cost.  
● Double locking safety system, much safer.



類別 Category	Unit	Mini	YTCT-02	YTCT-04	YTCT-06	YTCT-08
適用挖機 Carrier	ton	1.5-3	4-6	6-9	12-16	17-23
門軸直徑 Pin diameter	mm	20-40	40-45	45-60	60-70	70-80
重量 Weight	kg	25-40	50-75	70-110	180-250	300-400
軸距行程範圍 Stroke rang	mm	90-160	220-320	220-350	350-450	420-550

## 耙子 RAKE

**適用對象**  
可以當多功能鬆土器，可以勾樹根散石等

**特點**  
材質為保性能耐磨板材

**Applications**  
Can be used as multi-functional ripper

**Main features**  
Abrasion resistant steel, long service life.



類別 Category	Unit	YTCT04	YTCT06	YTCT08	YTCT10	YTCT17
長度A length	mm	800	1000	1300	1500	1700
寬度B width	mm	500	600	1000	1200	1400
高度A height	mm	550	700	800	1000	1200
適用挖機 Carrier	ton	6-8	10-15	20-25	30-36	40-50
重量 weight	kg	100	250	800	1100	1500

## 旋轉抓木器 ROTATING WOOD GRAPPLE

**適用對象**  
抓木頭、抓大物件雜物

**特點**  
●M+S馬達帶剎車功能，油缸帶美國SUN安全平衡閥；  
●根據需求可做加寬型，下抓可定做3+2,4+3,5+4；  
●電控和液控系統帶美國SUN節流閥和減壓閥、溢流閥，更安全穩定，操作方便故障率低。

**Application**  
Wood and other large scraps handing, moving, loading and organizing.

**Main features**  
● Imported bearing (Japan) throttle (Italy) and safe valve  
● (USA), Stable and high efficient performance.  
● Throttle, pressure reducing valve, relief valve (all the valves are USA SUN brand) are in electrical and hydraulic control system, making it safer and much more stable and durable in use.



類別 Category	單位 Unit	YTCT-02	YTCT-04	YTCT-06	YTCT-08	YTCT-10	YTCT-17
夾口尺寸 Max jaw opening	mm	1300	1400	1800	2300	2500	2500
工作壓力 Oil pressure	kg/cm <sup>2</sup>	110-140	120-160	150-170	160-180	160-180	180-200
必要流量 Operating flow	lpm	30-55	50-100	90-110	100-140	130-170	200-250
油缸容量 Max. cylinder force	ton	4.0*2	4.5*2	8.0*2	9.7*2	12*2	121*2
重量 Weight	kg	320	390	740	1380	1700	1900
使用挖機噸位 Carrier	ton	4-6	7-11	12-16	17-23	24-30	31-40

## 旋挖鑽 EARTH AUGER

**適用對象**  
應用於植樹，電線桿孔，鑽井，光伏電樁等領域，可安裝與所有普通液壓挖掘機，小型挖掘機及其他載貨設備上，如滑移裝載機，反鏟裝載機，起重機，伸縮式裝卸機，輪式裝載機等機械。

**特點**  
1.伊輪馬達，帶溢流閥 2.葉片採用耐磨板 3.齒輪加工工藝採用航空標準 4.設計合理，效率高壽命長。

**Application**  
Earth Auger is a kind of digging machine. Used for tree planting, pole holedrilling, photovoltaic pile. it can be mounted on all common hydraulic excavator as well as mini excavator and other carrier like skid steer loader, backhoe loader, crane, telescopic handler, wheel loader and other machinery.

**Main future**  
1. Eaton motor with overflow valve 2. Aviation standard applied in processing of gear  
3. Wear resistant steel impeller. 4. Reasonable design, high efficiency and longer life time.

類別 category	UNIT	YTCT MINI	YTCT02	YTCT04	YTCT06	YTCT06S	YTCT08	YTCT08S
適用挖機 suit excavator weight	ton	2.5-4.5	4.5-6.0	5-8	13-17	15-17	15-20	17-30
機體尺寸 measurement	mm	200*585	270*850	270*850	300*945	300*945	345*1155	345*1155
重量 weight	kg	60	100	152	170	175	265	272
工作壓力 working pressure	bar	205	205	205	205	205	205	205
最大壓力 max pressure	bar	310	310	310	310	310	310	310
極限扭矩 max torque	nm	3760	7300	8240	12300	15200	19800	24920
工作流量 rated oil flow	lpm	150	150	150	150	150	150	150
最大流量 max oil flow	lpm	210	225	225	170	210	210	225
油管直徑 diameter of oil pipe		G1/2"	G1/2"	G1/2"	G3/4"	G3/4"	G3/4"	G1"
挖機直和深度 drilling diameter and depth	150-250mm	3M	10m	10m	10m	10m	10m	10m
	300-400mm		8m	10m	10m	10m	10m	10m
	450-550mm		6m	8m	10m	10m	10m	10m
	600-700mm			6m	10m	10m	10m	10m
	750-850mm					10m	10m	10m
	900-1000mm					10m	10m	10m

